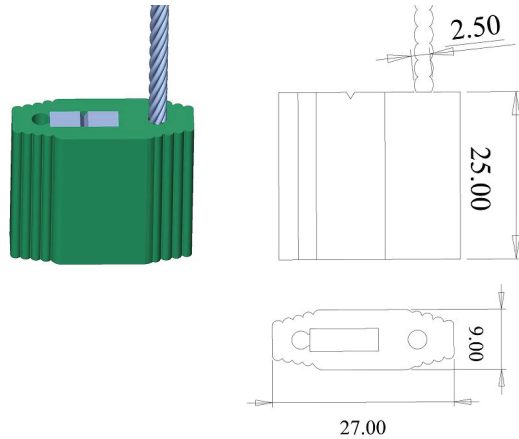


# 12 Inch Blue Pull Tight Stainless Steel Cable Seal with 2.5mm wire - 50 Pack



- Applications:
  - Suitable for: Containers, Trucks, Tanks, Doors, etc.
- Material:
  - Aluminum alloy, free of plastic
- Specifications:
  - Cable: Stainless steel wire, non-preformed
  - Cable Diameter: 2.5mm, standard length of 25cm
  - Lock Head Dimensions: 27mm x 25mm x 9mm
  - Locking Mechanism: Pull-tight
  - Removal: Requires bolt or cable cutters (eye protection necessary)
  - Compliance: ISO 17712 standards
- Tensile Strength:
  - More than 600kgf
- Printing Options:
  - Method: Laser printing
  - Customizations: Company name & logo, sequential numbering
  - Bar Code: Available upon request
- Available Colors:
  - Standard colors: Red, Yellow, Green, Blue, Black, Gold, etc.
  - Custom colors available upon request
- Packaging:
  - Quantity per Bag: 50 pcs
  - Bags per Carton: 10 bags
  - Carton Dimensions: 36cm x 28cm x 12cm



<b>Color</b>	Blue
<b>Length</b>	12 Inch
<b>Marking</b>	Sequential Numbering
<b>Material</b>	Stainless Steel
<b>Min Tensile Strength</b>	992 Lbs
<b>Package Quantity</b>	50